

# LFL05-Series



## KEY ADVANTAGES

- Cost-effective and efficient, maximise energy and maintenance savings
- Fully compatible with existing infrastructures (mounting and cabling) in retrofit projects
- Professional light distribution, symmetrical and asymmetrical
- Modular design offers the advantage of product flexibility for high-power applications
- Optional reflector to reduce light pollution and optimize glare control
- 0-10V, DALI, instant lighting control optional.
- 20kV SPD

- LARGE AREAS
- SPORT FACILITIES



SPORT FACILITIES



LARGE AREAS

## GENERAL INFORMATION

Driver included	Yes
CE mark	Yes
SAA Mark	Yes
RoHS compliant	Yes
Safety features	Open circuit protection Short circuit protection Overvoltage protection
Testing standard	LM-79-19 (all measurements in ISO17025 accredited laboratory)

## HOUSING AND FINISH

Housing	Aluminium
Optic	Polycarbonate
Respirator	Yes
Housing finish	Electrostatic polyester powder coating
Standard colour(s)	RAL 9017 black
Tightness level	IP 66
Impact resistance	IK 09
Wind Force Test	Pass

## OPERATING CONDITIONS

Operating temperature range (Ta)	-30°C to + 50°C
Operating Humidity	10-90%RH
Mounting Option	Bracket Mounting
Warranty	5 years

## PERFORMANCE

Power	250W/500W/750W/ 1000W/1250W
Efficacy	170lm/W,150lm/W
Power Efficiency	≥90%
Start Time	≤0.2S

## ELECTRICAL INFORMATION

Electrical class	Class I EU
Nominal voltage	200-240V   50/60Hz
Power factor (at full load)	0.9
Surge protection options (kV)	20KV-Line-Line 20KV-Line-Earth
Electromagnetic compatibility (EMC)	EN 55015:2019/A11:2020, EN 61000 3-2:2019, EN 61000-3-3:2013, EN 61547:2009, EN 62493:2015
Total Harmonic Distortion(THD)	IEC 61000-3-2 Class C <20%
Driver Type	Constant current(CC)
Flicker	No
For fixed Class 1 luminaires, overvoltage protective devices which comply with IEC 61643-11 shall be disconnected from the circuit.	
withstand voltage	1.5KV 60S 10mA

## OPTICAL INFORMATION

LED Type	SMD3030/5050
Beam Angle	15° / 30° / 45° / 60° / 90° 110X25° / 110X40°
Recommended installation height	15m to 45m
Color Tolerance	Ra70 ≤7 Ra80 ≤5
LED colour temperature	3000K / 4000K / 5000K / 5700K / 6500K
Colour rendering index (CRI)	CRI>70 standard CRI>80 optional
Upward Light Output Ratio (ULOR)	0%

## LIFETIME OF THE LEDS @ TQ 25°C

All configurations	
L70B10	>100,000h
L80B10	>50,000h
L90B10	>30,000h
Switching Cycles	>100,000 times

## STANDARD VERSION

POWER	LUMENS	EFFICACY
250W	42,500LM	170LM/W(Ra70)
	40,000LM	160LM/W(Ra80)
500W	85,000LM	170LM/W(Ra70)
	80,000LM	160LM/W(Ra80)
750W	127,500LM	170LM/W(Ra70)
	120,000LM	160LM/W(Ra80)
1000W	170,000LM	170LM/W(Ra70)
	160,000LM	160LM/W(Ra80)
1250W	212,500LM	170LM/W(Ra70)
	200,000LM	160LM/W(Ra80)

## ECO VERSION

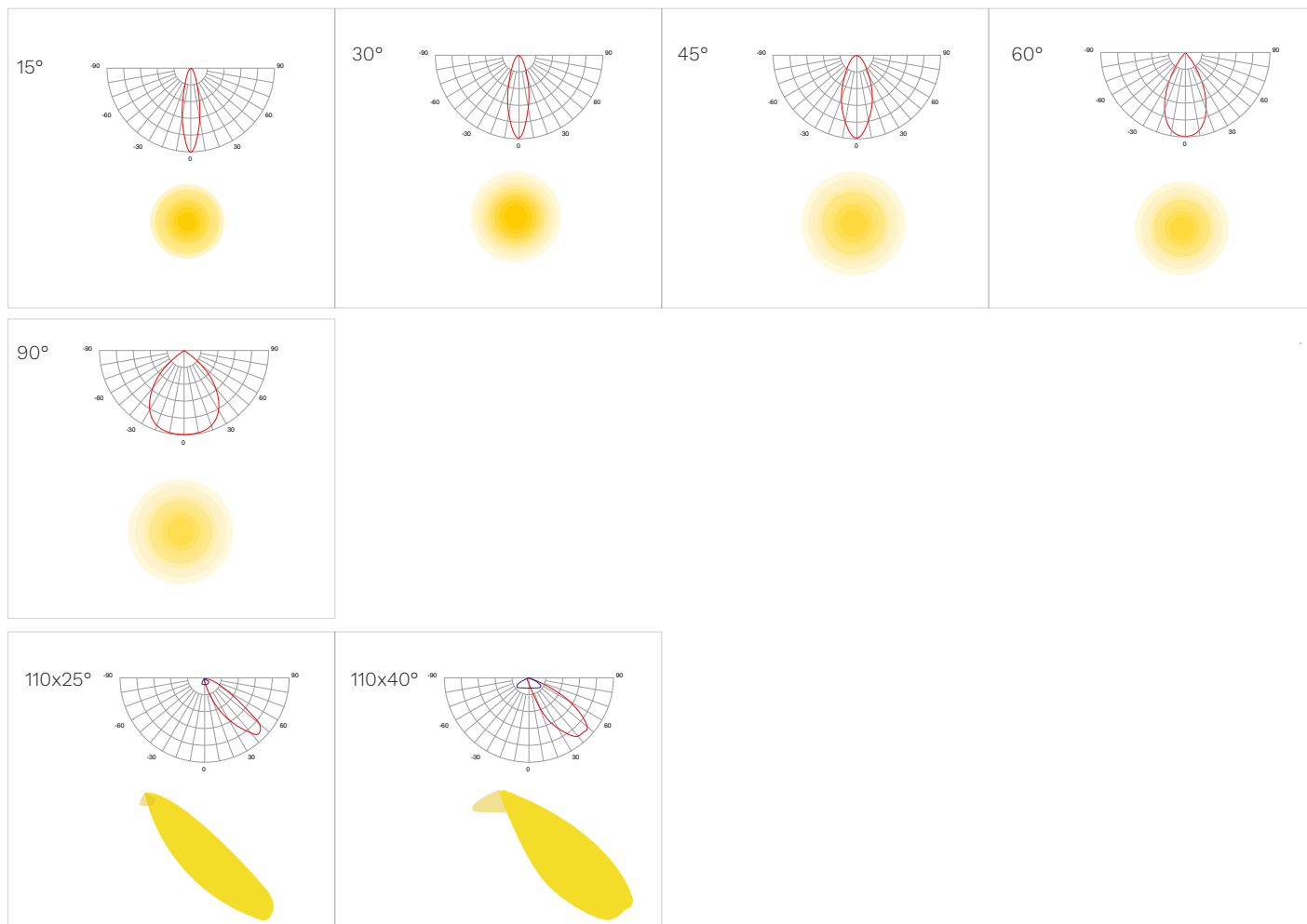
POWER	LUMENS	EFFICACY
250W	37,500LM	150LM/W(Ra70)
	35,000LM	140LM/W(Ra80)
500W	75,000LM	150LM/W(Ra70)
	70,000LM	140LM/W(Ra80)
750W	112,500LM	150LM/W(Ra70)
	105,000LM	140LM/W(Ra80)
1000W	150,000LM	150LM/W(Ra70)
	140,000LM	140LM/W(Ra80)
1250W	187,500LM	150LM/W(Ra70)
	175,000LM	140LM/W(Ra80)

※The Performance Data is tested base on 4000K confiuration (Apply to all versions)

※Power Consumption Tolerance ±5% (Apply to all versions)

※Lumen Efficiency Tolerance ±5% (Apply to all versions)

## DISTRIBUTION

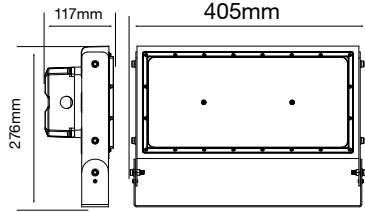


※ 110x25° / 110x40° is a special light distribution for 5050 LED chip

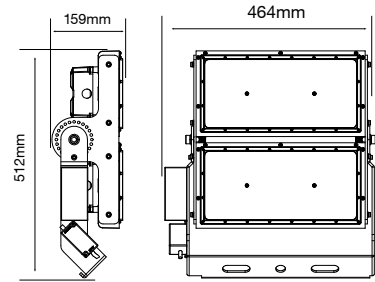
## OPTIONAL ACCESSORIES



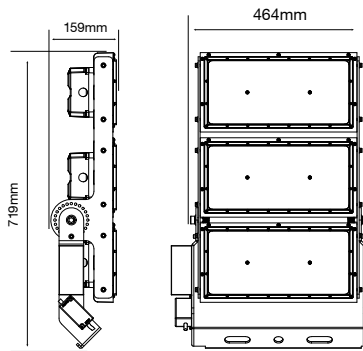
250W



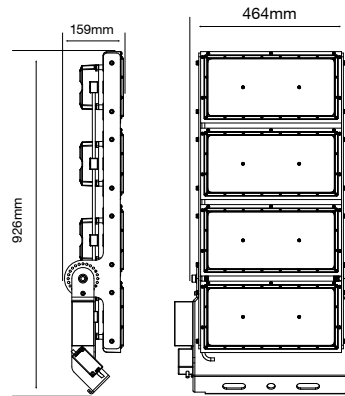
500W



750W



1000W



1250W

